

**Burns and Ferrall Locations**

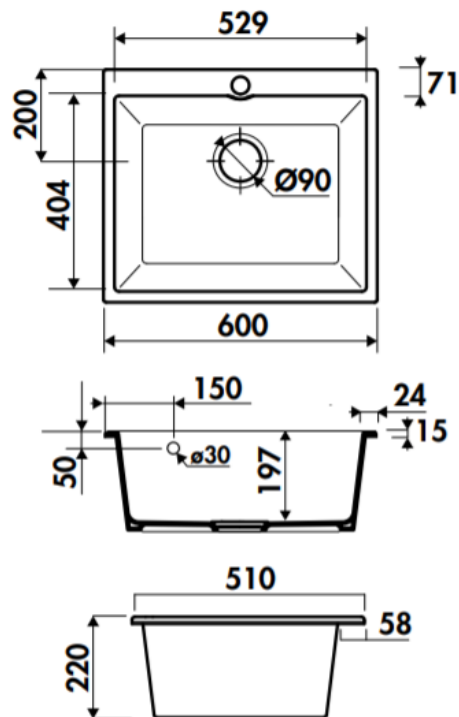
**AUCKLAND**  
12 Reg Savory Place  
East Tamaki, Auckland

0800 697 465

**WELLINGTON**  
122-124 Tory Street  
Te Aro

**HAMILTON**  
60 Alexandra Street  
Central

**CHRISTCHURCH**  
345 St Asaph Street  
Christchurch

**Product Specification  
Sheet CONSTANCE-II****CONSTANCE I**

- Premium French Fireclay
- Thermal Shock resistant
- Includes waste and overflow
- TOP Mount
- UNDER Mount